



10711 IH 35 North
San Antonio, Texas 78233
Phone: 210.653.2500

sales@alamorefrigeration.com
<http://www.alamorefrigeration.com>

Models:
GST Family

Description:
Flat Top Refrigerators and Freezers

Standard Features of Alamo Flat Top Refrigerators And Freezers

► Bottom Mounted Compressor

Heavy-Duty compressor is bottom mounted for easy cleaning and maintenance.

► Dual Thermostat

Allows for Freezer or Cooler modes for a use with a wider variety of product.

* Temperature Range: 0 F - 38 F

► Versatile Caster

Our pre- installed casters allows easy set up and mobility for floor cleaning. Additional caster lock function ensures unit placements and stability, preventing damage caused from moving.

► Door Lock

Safety door lock provides security for high priced inventory.



GST 70



GST 61



GST 52

 **FRICON**

Manufactured By:



GST 41



GST 30



GST 22

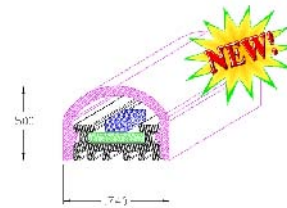




Flat Top Refrigerators and Freezers

Flat Top Refrigerators and Freezers				
Model	GST-22	GST-30	GST-41	GST-52
Voltage	115V/60Hz	115V/60Hz	115V/60Hz	115V/60Hz
Interior Volume	4.3 cu. ft.	8.6 cu. ft.	10.3 cu. ft.	13.6 cu. ft.
Temperature	0°F to 38°F	0°F to 38°F	0°F to 38°F	0°F to 38°F
Temperature Control	Manual	Manual	Manual	Manual
Refrigerant	Refrigerator: R-134 / Freezer: 404A	Refrigerator: R-134 / Freezer: 404A	Refrigerator: R-134 / Freezer: 404A	Refrigerator: R-134 / Freezer: 404A
Dimensions (in.)	22.5 L x 24.80 W x 36.22 H	31.5 L x 24.80 W x 36.22 H	39.37 L x 24.80 W x 36.22 H	49.61 L x 24.80 W x 36.22 H
Net Weight (lb/kg)	110 lbs.	115 lbs.	159 lbs.	190 lbs.
Included	Side Mounted Thermometer	Side Mounted Thermometer	Side Mounted Thermometer	Side Mounted Thermometer

Flat Top Refrigerators and Freezers		
Model	GST-61	GST-70
Voltage	115V/60Hz	115V/60Hz
Interior Volume	14.1 cu. ft.	18.5 cu. ft.
Temperature	0°F to 38°F	0°F to 38°F
Temperature Control	Manual	Manual
Refrigerant	Refrigerator: R-134 / Freezer: 404A	Refrigerator: R-134 / Freezer: 404A
Dimensions (in.)	59.06 L x 24.21 W x 36.61 H	67.75 L x 24.21 W x 36.61 H
Net Weight (lb/kg)	214 lbs.	243 lbs.
Included	Side Mounted Thermometer	Side Mounted Thermometer



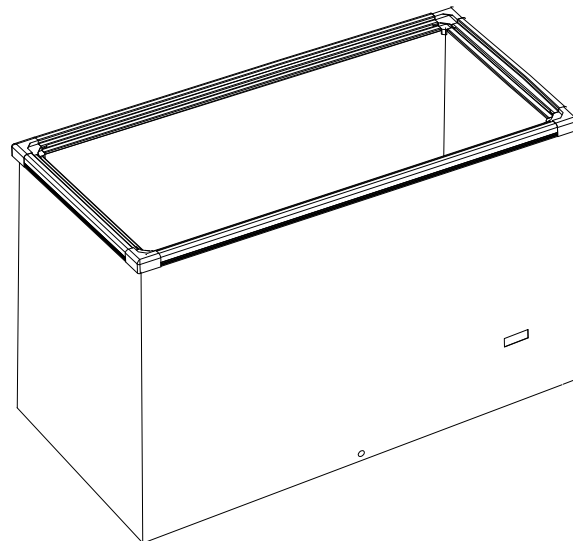
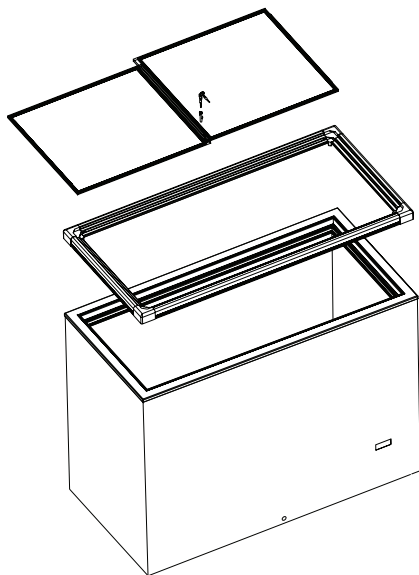
L.E.D. Lighting
CLEAR & FROSTED AVAILABLE



FROSTED



CLEAR



Note: Continuous product development may necessitate specification changes and design
Warranty 1 Year Parts and Labor; 5 Years Compressor

Alamo Refrigeration, LP

10711 IH 35 N • San Antonio, Texas 78233 • PH: 210.653.2500 • Fax:210.653.2504
sales@alamorefrigeration.com • www.alamorefrigeration.com